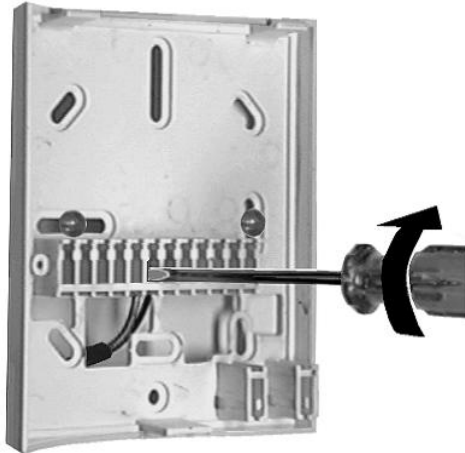
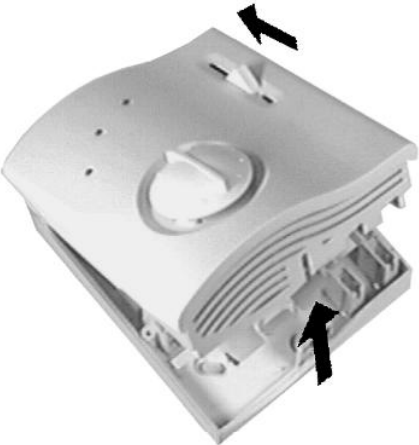


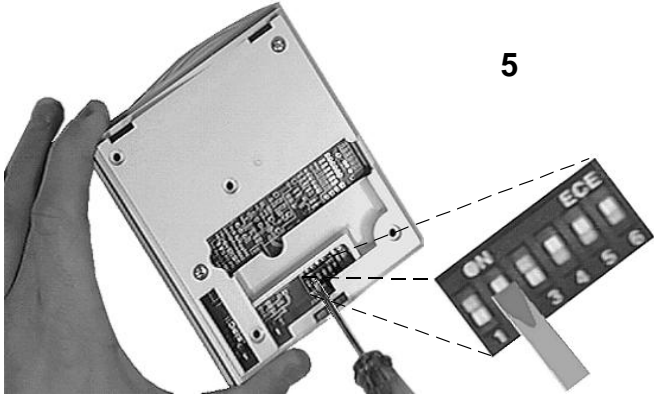
1



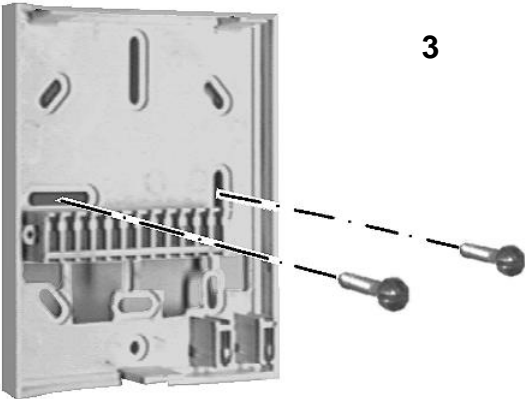
4



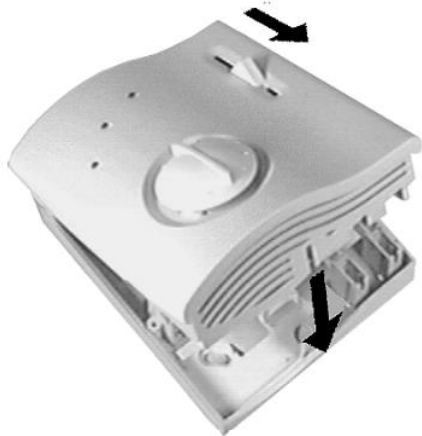
2



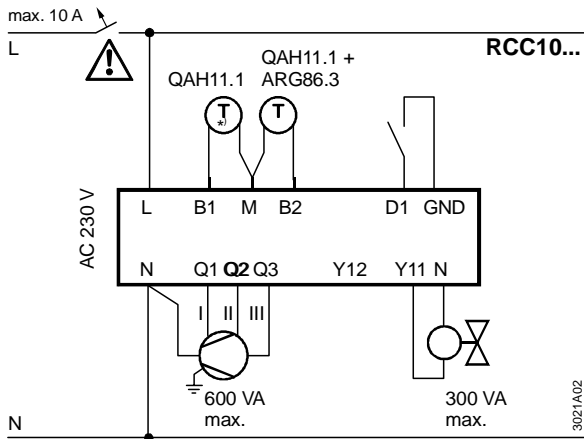
5



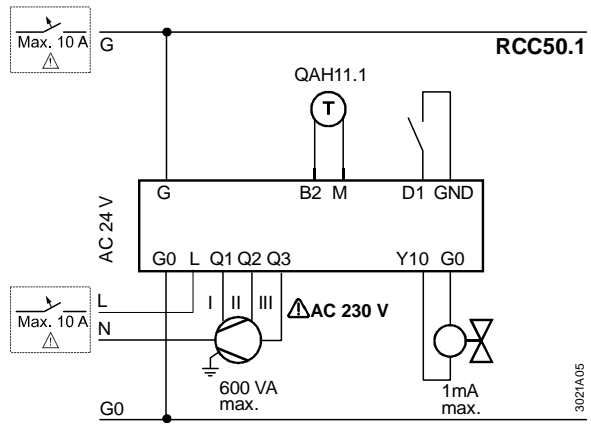
3



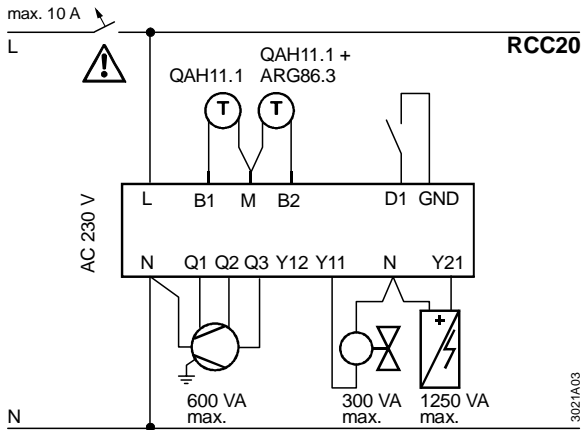
6



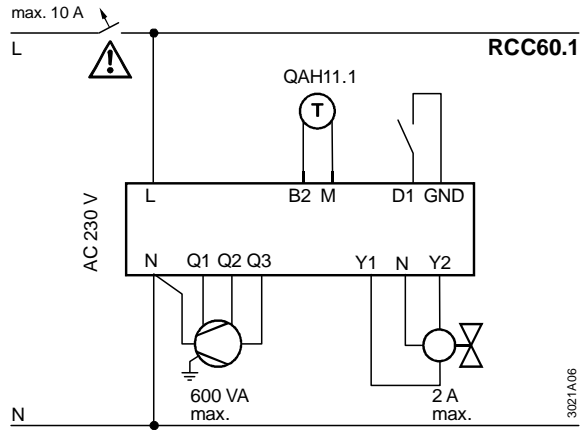
⚠ AC 230 V



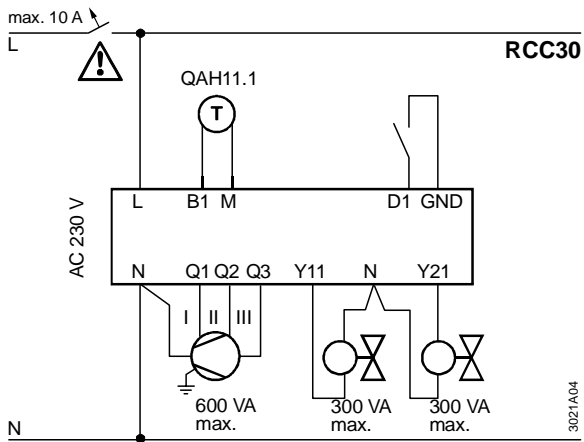
⚠ For US installations, use Class 2 rated power supplies.
For other installations, use circuit breakers with rated current of no more than 10 A.



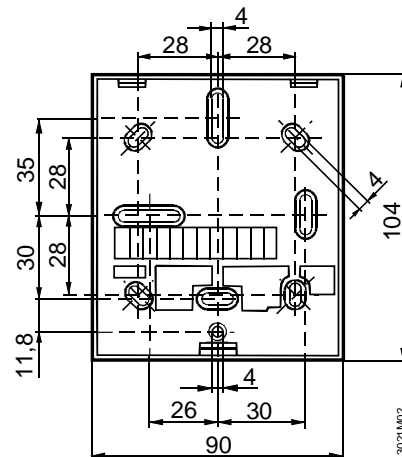
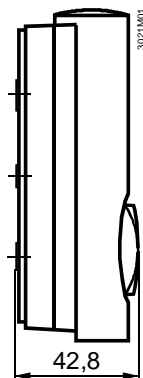
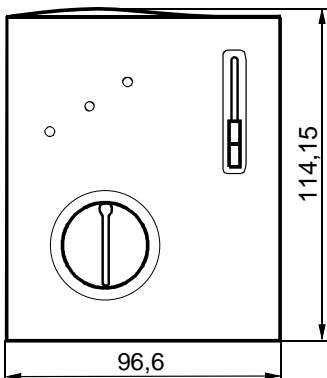
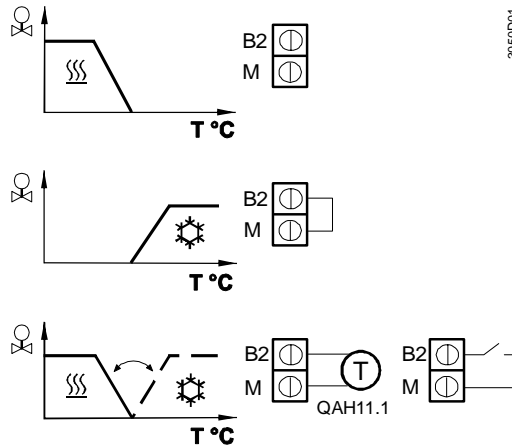
⚠ AC 230 V



⚠ AC 230 V



⚠ AC 230 V



[mm]